

**REFERENCE :** KI0152

**SIZES :** U

**COMPOSITION :**

Main fabric : Polyester oxford 600D PVC backing On front+side+top panels + shoulder straps. 100%polyester

Main fabric : Polyester oxford 600D PVC backing As contrast color on bottom panel. 100%polyester

Lining : Polyester 210D PU backing - 75 As inside lining. 100% polyester

Fabric 2 : Polyester puffy mesh On back panel + bottom part of shoulder straps. 100%polyester

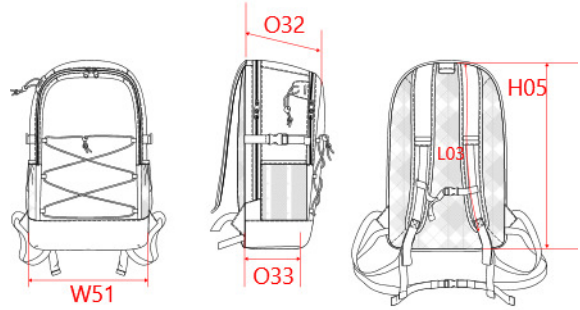
: Polyester mesh - 140 On side pockets. 100%polyester

**TECHNICAL DETAIL :**

PVC backing

**ARTICLE WEIGHT :**

515 gr/pc



DESCRIPTION		COLORS	PANTONE SERIGRAPHIE
<b>Français :</b> Sac à dos multifonctions		Airforce blue / Black	7545C / Black
<b>English :</b> Multi-purpose backpack		Full grey / Black	445C / Black
<b>Nederlands :</b> Multifunctionele rugzak			
<b>Deutsch :</b> Multifunktionsrucksack			
<b>Español :</b> Mochila multifunción			
<b>Italiano :</b> Zaino multifunzione			
<b>Português :</b> Mochila multifunções			

MEASUREMENT							
Description	U						
<b>H05</b> Hauteur totale / Total height	45						
<b>W51</b> Total width	29						
<b>O33</b> Deep of bottom part	12						
<b>O32</b> Deep of top part	19						
<b>L03</b> Longueur totale bretelle épaule / Shoulder strap total length	41						

PACKING	
Box	20 pcs / box Size => L: 49cm W: 40cm H: 48cm GW: 9,8Kg NW: 8,8Kg